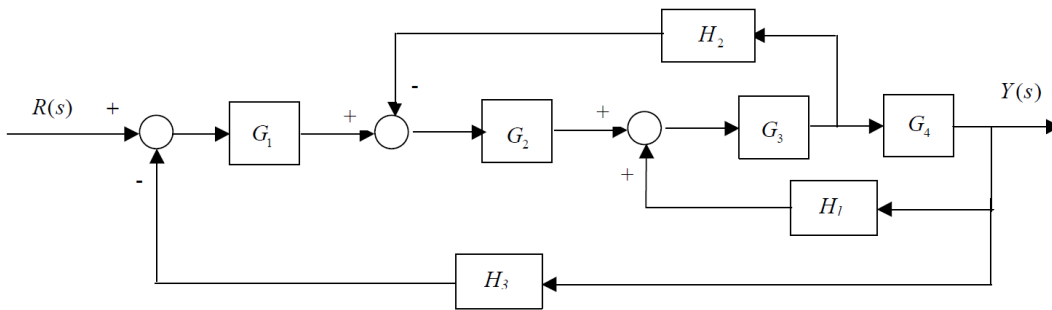


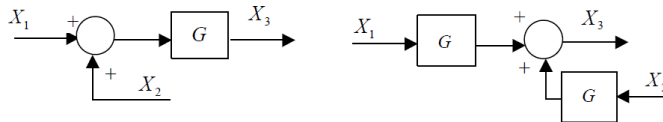
Name:

Obtain the simplified transfer function for this block diagram.

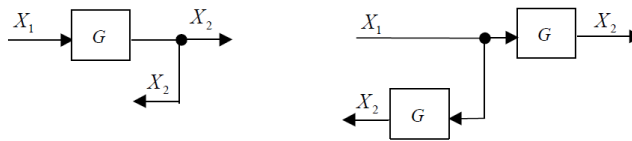


You may use any of these rules to obtain the overall transfer function.

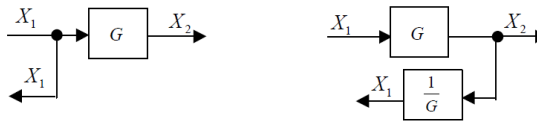
2. Moving a summing point behind a block



3. Moving a pickoff point ahead of a block



4. Moving a pickoff point behind a block



5. Moving a summing point ahead of a block

